



## DL-SE 06-130/T-EN54

- frameless design
- suitable also for very thin ceilings
- WAGO connector 221



EN 54-24:2008  
Ref. Nr.: tba  
ID-Code: tba  
1438-CPR-xxxx

ic audio GmbH, Boehringerstraße 14a,  
D-68307 Mannheim, Germany

CE-Symbol gemäß Richtlinie 93/68EWG

Inspired by the look of contemporary LED lights, the frameless design of the new 6W loudspeakers has all the makings of an instant classic. The 6W powered speaker is equipped with a 130mm full-range loudspeaker and a 100V transformer with 3 power adjustments. The powder coated metal in RAL 9016 guarantees long-term stability. For additional reliability the speaker is impregnated against wetness.

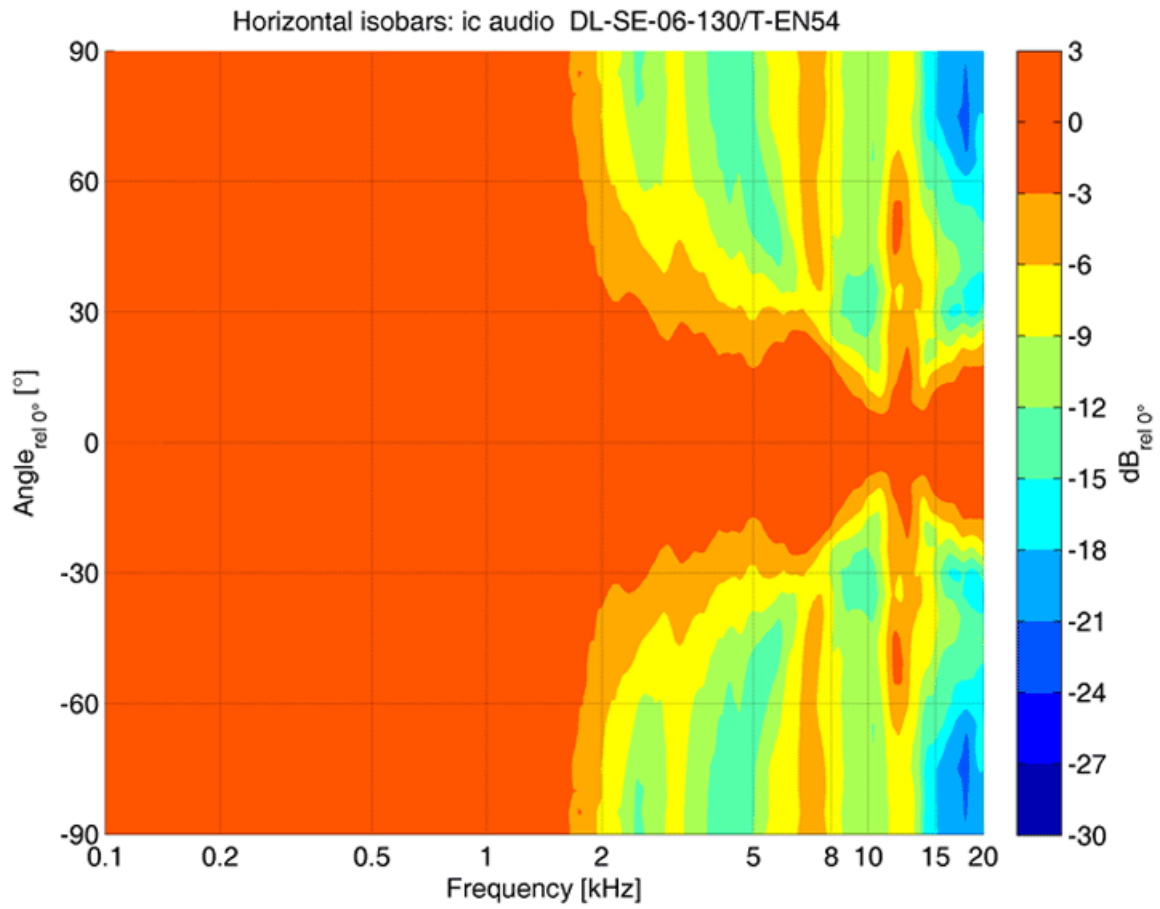
The speaker is also secured with protection class IP 21C against the security risks of environmental influences. Fast and easy installation by WAGO 221 connector and strong spring clamps with protective caps for vibration damping. The connecting cables can be supplied by rubber grommets in the firedome.

Special paint of the speaker in 4-digit RAL- or NCS- colour available at extra cost.

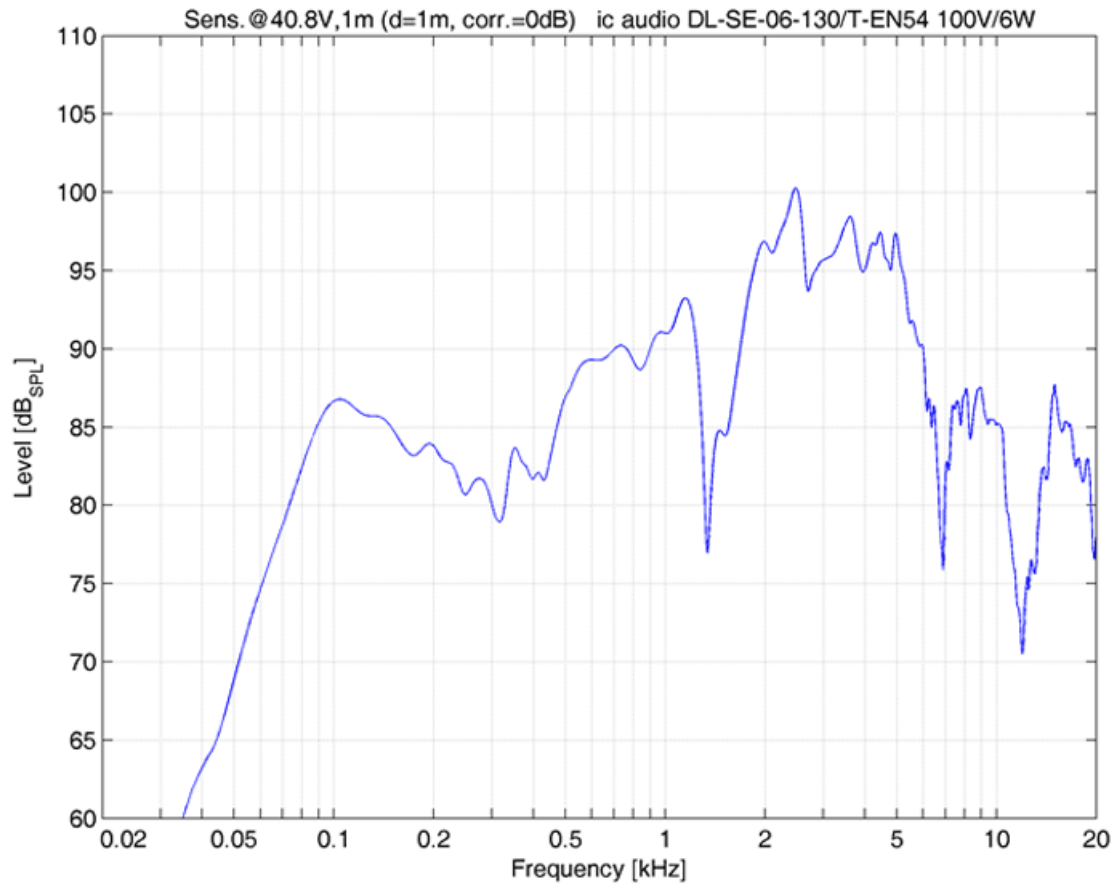
The firedome is included in the delivery.

This speaker is suitable for a ceiling strength of about 1 – 45 mm. Our specification is primarily related to solid ceilings, for ceilings with soft materials a higher ceiling thicknesses could be necessary. In addition, stronger cables and other fittings may also result in changes of the appropriate setup. With regard to the variety of materials and manufacturers, we recommend to build in a sample of the speaker to match the requirements accurately.

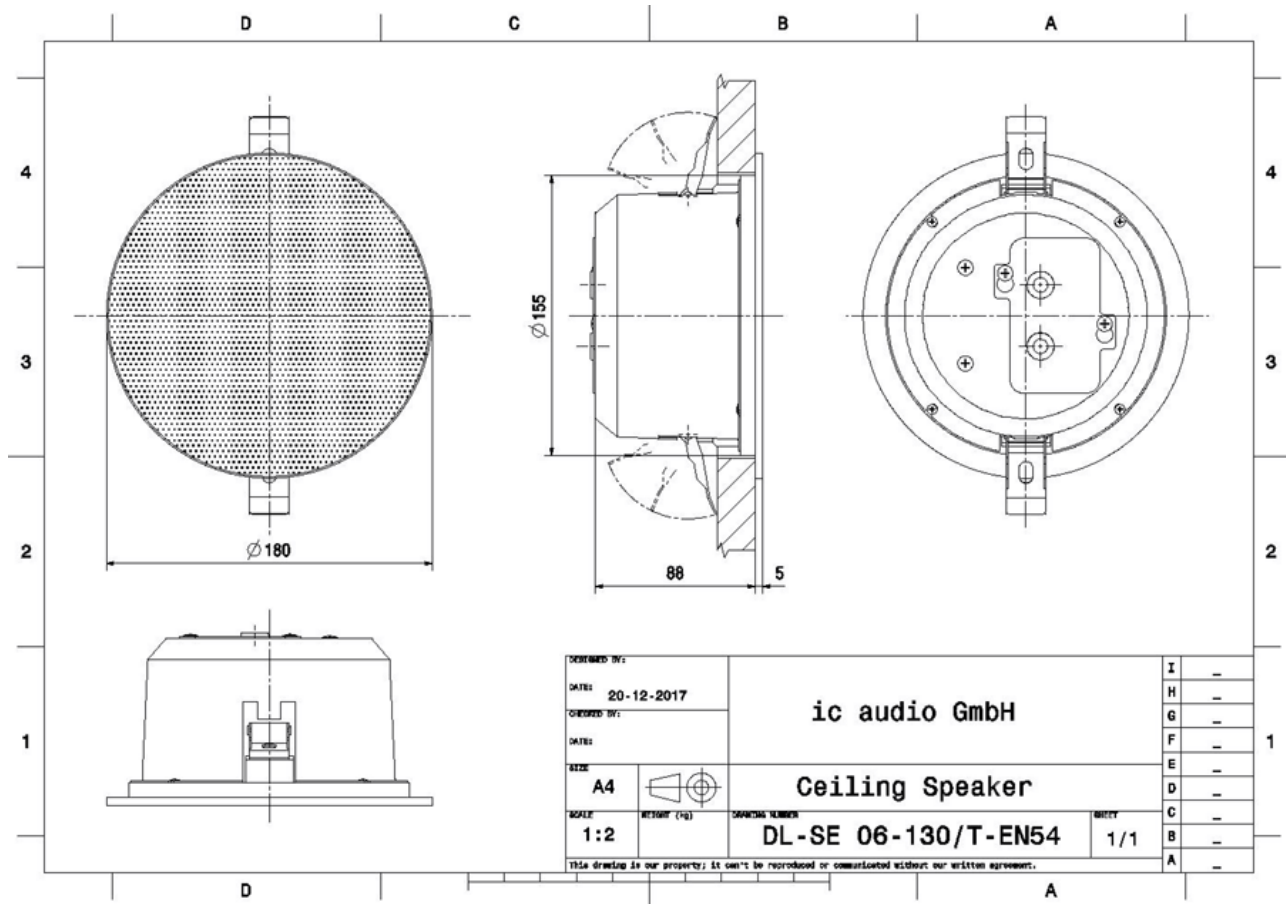
Polar Diagrams



## Frequency Response Diagrams



## Technical Diagrams



### Technical Data (Electrical)

Description	DL-SE 06-130/T-EN54
Power	6/3/1,5 W
Frequency Range	80 - 20.000 Hz
Frequency Response	64 - 21.500 Hz
SPL 1W/1m, peak	97,0 dB
SPL , 1W/4m, peak	85,0 dB
SPL Pmax/4m, peak	92,0 dB
Sensitivity EN54-24, 1W/4m	78,0 dB
Sensitivity IEC 268-5, 1W/1m	90,0 dB
Dispersion -6dB, 500Hz	180°
Dispersion -6dB, 1KHz	180°
Dispersion -6dB, 2KHz	131°
Dispersion -6dB, 4KHz	64°

### Technical Data (Mechanical)

Dimensions	180x93 mm
IP Rating	IP21
Weight (net)	0,75 kg
Ceiling Cut-out	tba
Temperature range	-20 / +80 °C
Mounting	Quick fit mounting
Connector	WAGO 221 connector
Maximum cable cross section	4mm <sup>2</sup>

Max. cable cross section loop	4mm <sup>2</sup>
Colour	RAL 9016

## Product Attributes



ic audio loudspeakers are tested and classified according to the IEC standard 60529 (degree of protection by enclosure) against the penetration of foreign objects and moisture. The classification is conforming to standards through characterization with a fixed code. This code consists of the letters IP (International Protection) followed by two digits. The first digit indicates the degree of protection against dust and the second digit the degree of protection against water. Please note that the testing of the products has been carried out in laboratory conditions which are not always 100% comparable with the conditions of different installation environments. This protection can be reduced due to normal wear and tear depending on the installation environment. Therefore our warranty does not cover any damage caused by liquids.

Measurements according to DIN IEC 268-5 | RoHS compliant (2011/65/EU)

The IP rating specified is based on ic audio test results, not on CNBOP-PIB test results. Certification only verifies the minimum requirements for EN54-24 compliance.



Article Nr.: 20173196

Packing Unit: 12

